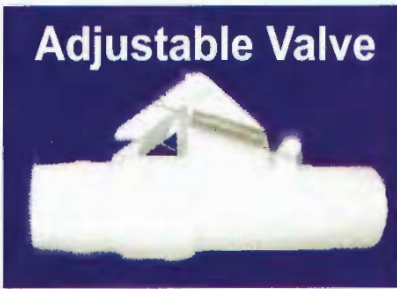


# Gemini TWINSWEEP

How to assemble and operate



Adjustable Valve



## **CLEANING PATTERN**

The float arm screws can be removed and the float arm exchanged.

1. Short arm random pattern (perimeter)
2. Long arm random pattern accentuates diving + climbing.

Both of these cleaning patterns can be tested for superior cleaning. (The pool sweeper head is supplied with the long arm float attached).

## **ASSEMBLING THE GEMINI TWINSWEEP**

1. Ensure the skirt is flat, if not, due to packaging, lie the skirt on a warm, flat surface for approx. 1 hour (e.g. bricks alongside the pool). Then chill with water to set.
2. Place the skirt over the top of the Pool Sweeper and slide it down towards the mouth of the Pool Sweeper. Secure the skirt beneath the flange of the mouth of the Pool Sweeper. The Pool Sweeper is now assembled.
3. Attach the hoses securely together, male to female coupled, leaving the last hose female to female by removing the loose hose connector. Attach end hose to the swivel connector at the top of the Pool Sweeper. Ideally the hose length should stretch from the weir to the furthestmost diagonal corner plus one or two lengths of hose.

## **INSTALLING THE GEMINI TWINSWEEP**

1. Remove air from the system by slowly feeding the Pool Sweeper and hose straight down the side of the pool or feed water into the Pool Sweeper and hoses using the return water jet from the filter.
2. Attach the free end of the hoses to the Gemini adjustable valve with arrow in direction of water flow.
3. Fit Gemini adjustable valve to weir vacuum lid/vacuum connection.
4. Switch on the filtration system and the Pool Sweeper will start to operate.

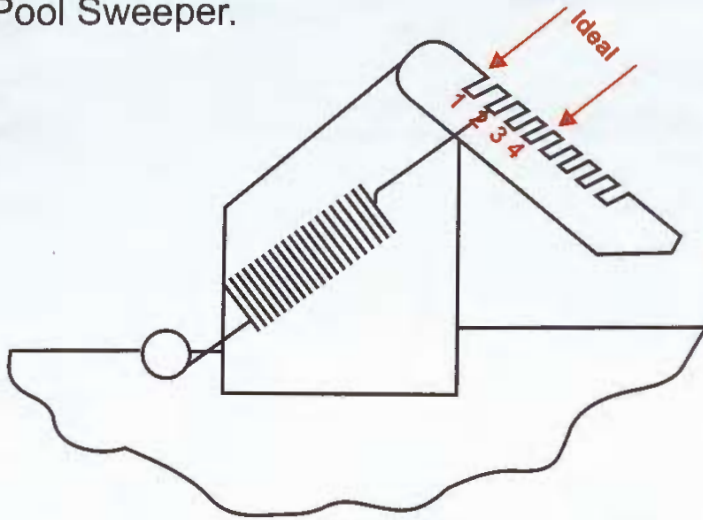
## **WARNING! DO NOT DETACH POOL SWEEPER FROM HOSE WHILE PUMP IS ON. FINE TUNING YOUR SETTINGS**

Each pool is different and the movement of the Pool Sweeper will be unique to your pool. The efficiency of the filtration system, the weir valve setting, the pool hose used and the shape and depth of the pool will influence the Pool Sweeper's performance. In order to find the best settings for your pool, follow this guide:



**WEIR VALVE (CAUTION THE LIFE AND PERFORMANCE OF POOL SWEEPER CAN BE DRASTICALLY REDUCED IF THE WEIR VALVE IS NOT FITTED OR INCORRECTLY ADJUSTED!!!)**

The Pool Sweeper has an optimum flow and is supplied with an adjustable valve, preset at its lowest setting, but can be adjusted by changing the positions of the springs, one notch at a time, to achieve optimum movement of the Pool Sweeper.



**Settings 1 -4 on control valve, for optimum performance and minimal wear.**

**MAINTENANCE**

**DEBRIS-**To ensure optimum performance of your Pool Sweeper, keep your weir basket, pump strainer basket, sand filter, cartridge filter (as applicable) free of debris and clean. Backwash your filter at regular intervals. As your filter accumulates dirt the water flow through the filter will be reduced and this will affect operation of the Pool Sweeper. It may be necessary to adjust the weir valve accordingly.

**WEAR-AND-TEAR**

Ensure that the Pool Sweeper's skirt, footpad, bump strip and hammer are in good condition. As the skirt and footpad become shiny and very smooth (or even tear), the Pool Sweeper will lose its ability to adhere to the pool and the parts should be replaced. The bump strip will wear as it comes into contact with pool edges, steps or the wall. It will likely wear in specific spots. To prevent damage to the Pool Sweeper body the bump strip should be moved to accommodate high wear points. When necessary, the part should be replaced. The hammer should last for a considerable period, but nevertheless should be regularly inspected for wear and when necessary be replaced.

**HOSES** - Your hoses should be straight and flexible. If they are not straight, place them in a straight position in the sunlight for a few hours. Make sure they are always stored straight and out of direct sun light. If they are brittle or have leaks they should be replaced.

**CHEMICAL USE AND THE GEMINI TWINSWEEP** - The harsh effects of chemicals could affect the colouring of your Pool Sweeper. This will however not



affect the performance of the Pool Sweeper. In order to minimize discolouration and damage, ensure your pool is kept at the correct alkaline and PH levels. When shock treatments are employed, remove the Pool Sweeper for a minimum of 4 hours.

## **TROUBLE SHOOTING**

If you have any problems with your Pool Sweeper's operation, please refer to the following options:

### **GEMINI TWINSWEEP does not move or is moving very slowly**

- Remove the hammer cover plate to release the hammer and remove all debris. Replace the hammer and cover plate and ensure that the hammer is moving.
- Ensure that there is no debris clogging up the basket.
- Ensure there is sufficient suction in your pool's filtration system and that it is operating in accordance with the manufacturer's instructions. If necessary, wash the filter to improve water flow and increase suction. If there is strong suction, ensure that the weir valve is functioning correctly. The weir valve should be set so that there is a strong water flow through the valve and reduced bypass flow
- Ensure there are no leaks in the hoses and that the hoses are connected properly.
- Check the Pool Sweeper's footpad, skirt and hammer for wear and tear.
- Replace if necessary.

### **GEMINI TWINSWEEP moves a short distance before stopping.**

- Refer to solutions listed under "Pool Sweeper does not move".
- If the pump suction is too strong the Pool Sweeper will "stick" to the pool surface and move slowly, if at all. Reduce the water flow through the Pool Sweeper by adjusting the weir valve so that its bypass opens more easily.
- Normal setting on valve 2<sup>nd</sup> to 4<sup>th</sup> slot on adjustment.

### **GEMINI TWINSWEEP falls on its side or hoses become tangled.**

- Check that the hose swivel connector pieces are rotating freely. Ensure that there is no accumulated debris hindering movement.

## **HOSE FLOAT**

The float can be fitted to the hose where the hose connects to the sweeper head. The float will encourage the Pool Sweeper to climb the walls more frequently.

## **HOSE WEIGHT**

Should the Pool Sweeper not settle correctly on the floor, fit the hose weight supplied to the second hose section closest to the Pool Sweeper. The hose weight can be adjusted as necessary along the hose length to fine tune the Pool Sweeper's performance. Note: Adjusting hose float/hose weight combination can assist in fine tuning of random pattern and stop hose coiling.



### **GEMINI TWINSWEEPER gets stuck in a particular spot.**

- Adjust hose length by adding or removing a section of hose.
- Ensure that the return water flow jet is not interfering with the movement of the Pool Sweeper.
- If problem persists, attach a deflector ring just above the Pool Sweeper hose connection.

### **GEMINI TWINSWEEP does not climb wall**

Ensure that the baskets and Pool Sweeper are free of debris.  
Adjust valve to a higher setting to increase suction flow through the Pool Sweeper.

### **GEMINI TWINSWEEP climbs out of the water.**

Ensure that the weir valve is working and free of debris.  
Lower the setting on the weir valve to reduce suction flow through the Pool Sweeper.

### **GEMINI TWINSWEEP is moving in a set pattern.**

Ensure hoses are in good condition, flexible and not coiled.

### **GEMINI TWINSWEEP TWO YEAR WARRANTY**

(Attach sales receipt as proof of purchase date)  
Your Pool Sweeper was carefully checked before shipment. Upon unpacking, if any part is missing or found to be defective, please notify your dealer immediately. Please consult the owner's manual for instructions on the installation and operation of the Pool Sweeper.

### **THE MANUFACTURER WARRANTS THIS POOL SWEEPER IS TO BE FREE FROM DEFECTS IN MATERIALS AND WORKMANSHIP FOR A PERIOD OF TWO (2) YEARS FROM PROVEN DATE OF PURCHASE.**

This is the sole warranty and all other warranties, express or implied of any sort arising from the use and operation of the Pool Sweeper are excluded.

#### **This warranty excludes the following:**

1. Discoloration of the Pool Sweeper caused by reaction to chemicals used in the pool water. Discolouration does not affect operating ability of the Pool Sweeper. Therefore this limited warranty does not cover the replacement of discoloured parts.  
Damage to or malfunction of the unit resulting from excess chlorination or improper water chemistry balance.

3. Age, pool water imbalance or improper installation can cause pool liners to become brittle or unduly wrinkled. Corrosion of the supporting walls and/or irregularities in the pool base may also cause liner failure. The use of this product in such an environment is at the pool owner's risk. Therefore the pool owner hereby releases any and all claims for damage where these conditions exist.
4. Abrasion to the hose or damage caused by misuse or improper installation.
5. All wearing parts, including footpad, skirt and bump strip, which must be regularly checked and replaced when worn.

***Note: Most problems are caused by twigs/debris blocking the hammer (motion valve) or low suction from a dirty filter etc. This is not warranted and is a chargeable service call. Therefore please ensure the hammer is free and the filter, skimmer and pump baskets are clean with good suction at the Pool Sweeper head.***

No claim under this limited warranty will be recognized unless the attached registration card is completed and returned within fourteen (14) days of the purchase date. Only the original purchaser may claim under this warranty and a **SALES RECEIPT OR PROOF OF PURCHASE DATE** is required. Purchaser's claims are limited to manufacturing defects only and to the replacement of such part, which are proven to be defective due to no fault on the part of the user.

To obtain warranty replacement parts or replace please contact the dealer purchased from.

When submitting a claim, always supply evidence of purchase date, retailer and a brief description of the defect encountered.

We reserve the right to repair or replace all defective parts covered by this warranty and return same to purchaser, freight collect. This is our sole liability and no other claim will be entertained.

**RECORD YOUR TWINSWEEP DATA HERE:**

Date Purchased: \_\_\_\_\_ Purchased from: \_\_\_\_\_

Address: \_\_\_\_\_

\_\_\_\_\_  
\_\_\_\_\_



<b>PART NO</b>	<b>ACCESSORIES</b>	<b>PURPOSE PROBLEMS</b>
SK0022	1. HOSE WEIGHT	Coiling pipe/Sweeper balance
SK0031	2. HOSE FLOAT	Random pattern Pipe Protection/Sweeper balance
Con/01	3. CONNECTOR	Joining pipes and protecting wear. Adapting to other pipes or cleaning equipment.
EO/01	4. EASY OUT	Takes pipes & cleaner out of corners when stuck
SK0024	5. CONTROL VALVE	To suit all suction sweepers (ADJUSTABLE)
Hose/01	6. HOSES	Suitable to all suction sweepers
	7. DEFLECTOR RING	Helps avoid sharp pool angles where cleaner might become stuck.
WA/45	8. WIER ADAPTOR 45°	To ASSIST with fitting of control valve into wier.

### **IMPORTANT MAIL TODAY REGISTRATION OF TWO (2) YEAR WARRANTY**

(Receipt or proof of "purchase date" required) This certificate must be completed and returned within 14 days of date of purchase. I certify that my Pool Sweeper was purchase on \_\_\_\_\_ and that I have read and understand the terms of the Pool Sweeper.

Customer Name: \_\_\_\_\_ Date: \_\_\_\_\_

Address: \_\_\_\_\_ Code: \_\_\_\_\_

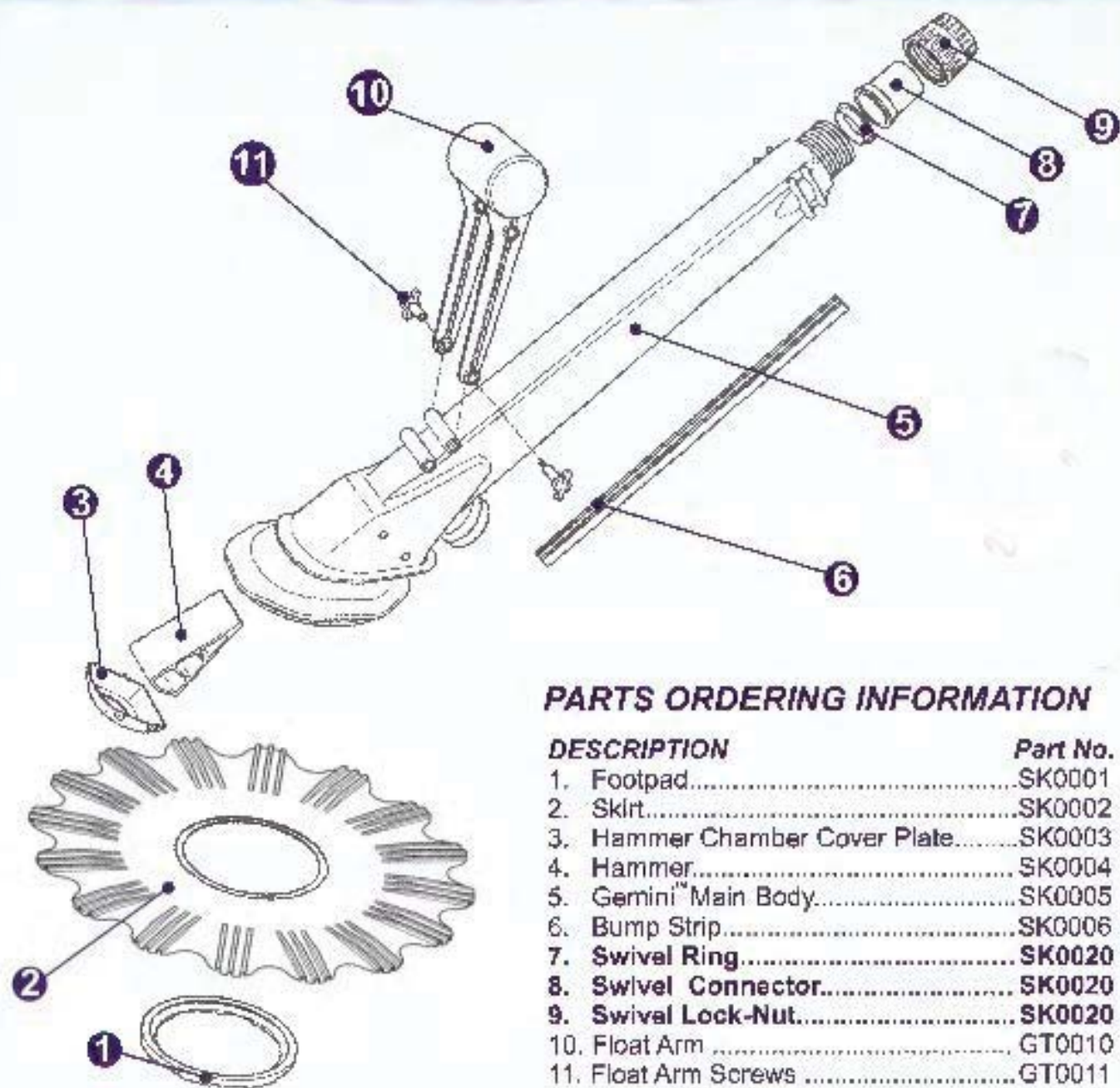
Tel No: \_\_\_\_\_ E-mail: \_\_\_\_\_

Purchased From: \_\_\_\_\_

Name: \_\_\_\_\_

City: \_\_\_\_\_ Code: \_\_\_\_\_

My pool is: Concrete/Pebblecrete/Fibreglass/Fully Tiled/ \_\_\_\_\_



### PARTS ORDERING INFORMATION

DESCRIPTION	Part No.
1. Footpad.....	SK0001
2. Skirt.....	SK0002
3. Hammer Chamber Cover Plate.....	SK0003
4. Hammer.....	SK0004
5. Gemini™ Main Body.....	SK0005
6. Bump Strip.....	SK0006
7. Swivel Ring.....	SK0020
8. Swivel Connector.....	SK0020
9. Swivel Lock-Nut.....	SK0020
10. Float Arm .....	GT0010
11. Float Arm Screws .....	GT0011